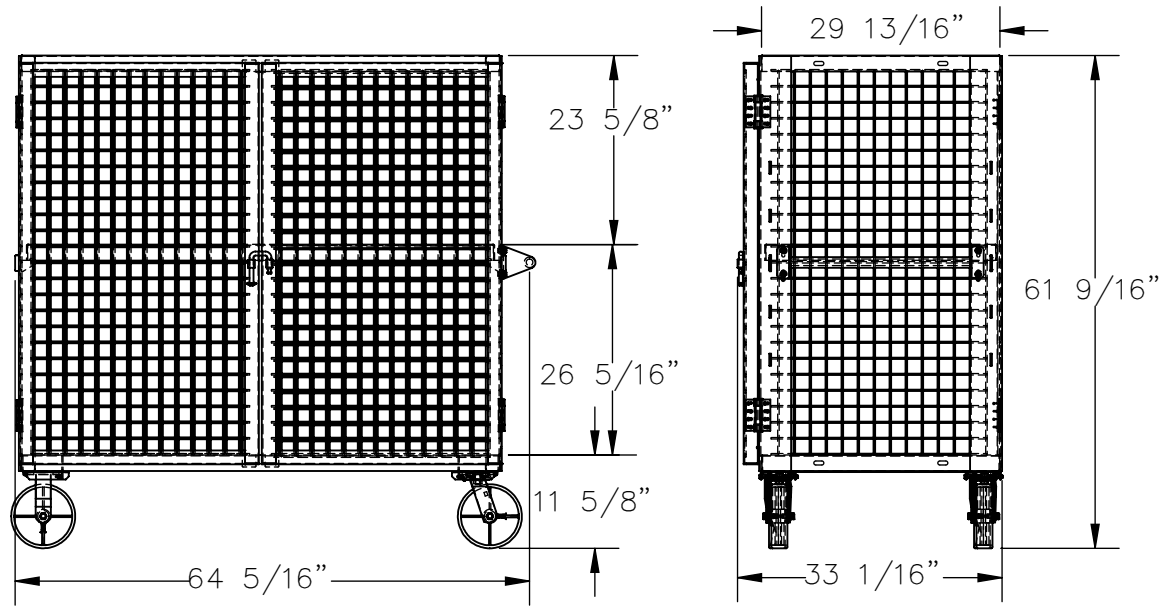
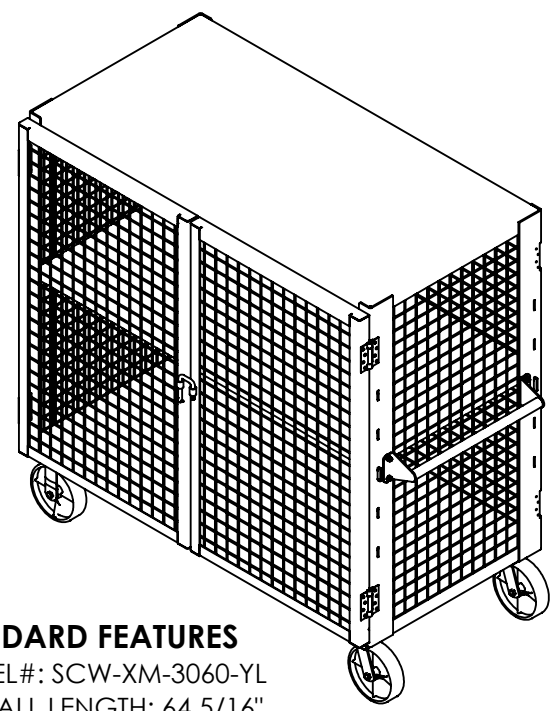


# WELDED SECURITY CART, YELLOW - SCW-XM-3060-YL

APPROX WEIGHT: 435.46 lbs.  
 DOES NOT INCLUDE WEIGHT OF POWER OR PACKAGING!!!

\*\*\* ANY ADDITIONS, DELETIONS, OR OMISSIONS MUST BE CORRECTED ON THIS DRAWING AS THIS DRAWING WILL BE CONSIDERED ALL INCLUSIVE \*\*\*  
 ALL GRAPHICS PROVIDED ARE FOR REFERENCE ONLY. IF CERTAIN DIMENSIONS ARE CRITICAL PLEASE VERIFY THOSE DIMENSIONS WITH YOUR SALESPERSON



### STANDARD FEATURES

- MODEL#: SCW-XM-3060-YL
- OVERALL LENGTH: 64 5/16"
- OVERALL WIDTH: 33 1/16"
- OVERALL HEIGHT: 61 9/16"
- INCLUDES (2) 8"X2" SWIVEL CASTERS AND (2) 8"X2" RIGID CASTERS
- ADJUSTABLE INSIDE SHELF EVERY 4 1/2"
- ASSEMBLED PUSH HANDLE INCLUDED
- ALL STEEL CONSTRUCTION
- TOUGH BAKED IN POWDER COATED YELLOW FINISH
- TOTAL CAPACITY: 2000 LBS. (1000 LBS. PER SHELF)

### SPECIAL FEATURES

NONE

DIMENSION TOLERANCE ± 1/4"

<b>A P P R O V A L</b>	I, THE UNDERSIGNED, AGREE THAT THE PRODUCT AS REPRESENTED SATISFIES DESIGN AND DIMENSION REQUIREMENTS. I ALSO ACKNOWLEDGE MY DUTY TO CONFIRM PRODUCT AND INSTALLATION COMPLIANCE WITH ALL APPLICABLE FEDERAL, STATE AND LOCAL REGULATIONS AND STANDARDS.	
	<b>UNITS REQUIRING APPROVAL DRAWINGS OR MODIFIED ARE NON-RETURNABLE</b>	
	[ ] As drawn      [ ] As marked	
	Signed: _____	Date: _____
Printed Name: _____		
<i>LEAD TIME WILL START UPON RECEIPT OF SIGNED APPROVAL DRAWING</i>		

DISTRIBUTOR'S NAME:		P.O.# X
DRAWN BY:		W.O.# X
DATE: 08/11/21	SALES: X	FILE NAME:
REFERENCE: X	SCALE: 1:24	33-007-411-007
QUOTED LEAD TIME: X	QUOTE # X	